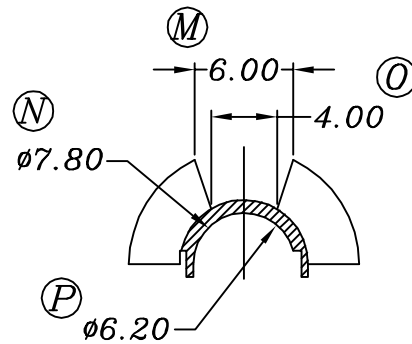
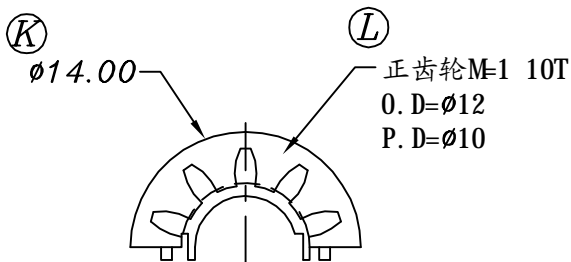
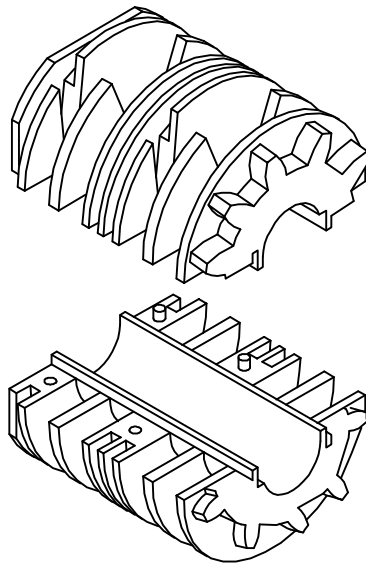
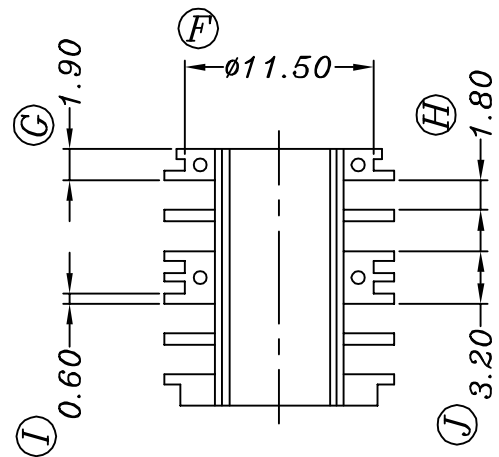
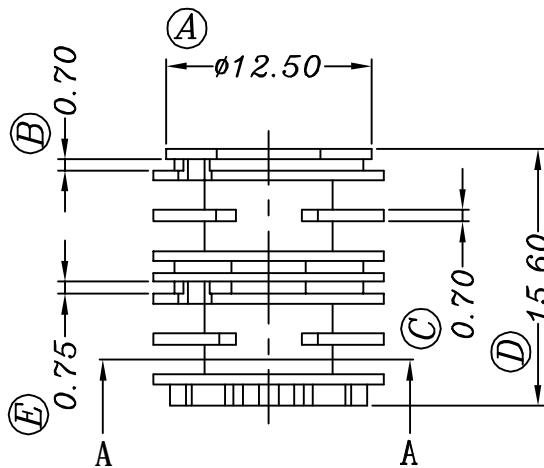


FWB2004-1



SECTION A-A

REV	REVISION RECORD	DATE	REV	REVISION RECORD	DATE
A			C		
B			D		

NAME	ET20 BOBBIN 4SEC	MATERIAL	PBT	SCALE	2/1	ANGLE	±1°
DRAWING NO.	FWB2004-1	PIN MATERIAL		UNIT	m/m	REV	A
TOLERANCE OF PIN PITCH	±0.20		HAINING FERRIWO ELECTRONICS CO.,LTD. TEL: +86-573-87088701 FAX: +86-573-87081130 Web: www.ferriwo.com Email: sales@ferriwo.com				
PIN TENSION LOAD	kg MN	UL REC: 94V-0					
TOLERANCE:	0<L≤4: ±0.2	4<L≤16: ±0.3					